

DC 6300 Series

FLAMEPROOF MULTI WAY DISTRIBUTION BOX.



Mechanical Data

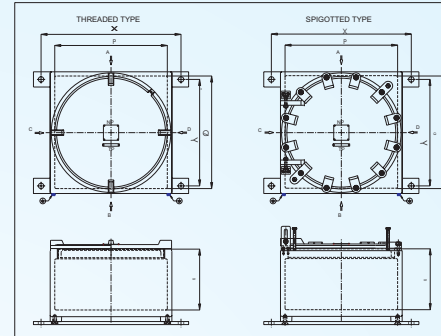
- Material : Aluminium LM6
- Weight : Refer the Dimension Chart
- IP Protection : IP 65 as per IS-12063/1987 (IEC 60529/1989)
- Finish : Anti corrosive epoxy powder coated
- Cable Entry : Refer Chart.
- Canopy : Optional
- Cover Fixing : Threaded, Spigotted
- Gasket : Neoprene
- Hardware : Stainless Steel

Electrical Data

- Earthing : External : 2 Nos - M6
- : Internal : 1 No - M5

Description

Explosion proof junction boxes with threaded or spigotted covers. Available in seven sizes, these boxes provide a wide range of terminations and distribution facilities. Integrally cast plates are provided for different combinations and cable entries on any of the four sides. Weatherproof protection is provided by high quality neoprene 'O' ring gaskets.

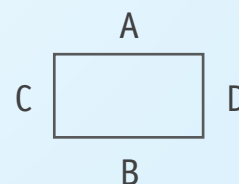


Type of protection	Flame Proof - Exd
Area Classification	Zone 1 & 2
Gas Groups	Group I, II A, II B & II C
Apparatus Standard	IS:13346-2004 (IEC 60079-0/2000)
CIMRF Certificate No.	Awaited
Approvals	CCE

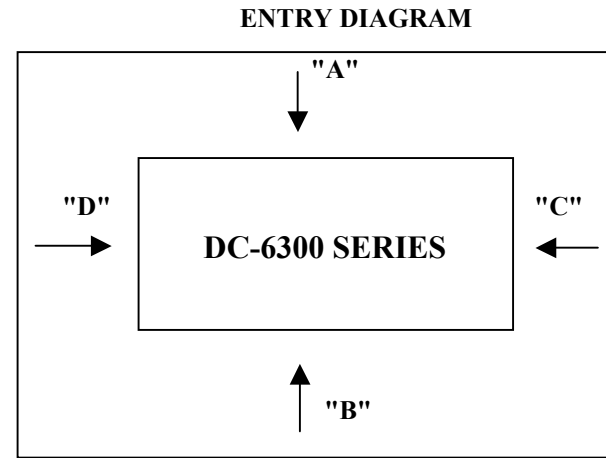
Cable Entry Chart

Entry size (Inches)			DC 6300-1		DC 6300-2		DC 6300-6		DC 6300-4	
BSC	NPT / BSP	Metric (mm)	A/B	C/D	A/B	C/D	A/B	C/D	A/B	C/D
0.50	0.25	M 16 X 1.5	30	24	30	24	78	78	60	60
0.75	0.50	M 20 X 1.5	21	18	21	18	56	56	43	43
1.0	0.75	M 25 X 1.5	18	15	18	15	33	33	28	28
1.25	1.0	M 32 X 1.5	8	8	8	8	26	26	18	18
1.50	1.25	M 40 X 1.5	8	6	8	6	16	16	14	14
2.0	1.50	M 48 X 1.5	3	3	3	3	12	12	8	8
2.5	2.0	M 63 X 1.5	3	2	3	2	6	6	8	8
3.0	2.5	M 75 X 1.5	2	2	2	2	5	5	3	3

SI.No	DC 6300 SERIES	TYPE	INTERNAL DIMENSIONS (AxBxC)	FIXING CENTER (XxY)	WEIGHT IN KG (APPROX.)
1	DC-6300-1	THREADED / SPIGOTTED	295*245*120	325*250	15
2	DC-6300-2	THREADED / SPIGOTTED	295*245*170	325*250	17.5
3	DC-6300-3 (150mm depth)	THREADED / SPIGOTTED	370*370*150	460*350	30
4	DC-6300-4 (200mm depth)	THREADED / SPIGOTTED	370*370*200	460*350	33.5
5	DC-6300-5 (300mm depth)	THREADED / SPIGOTTED	370*370*300	460*350	40
6	DC-6300-6	THREADED	560*560*200	660*550	78
7	DC-6300-7	THREADED	560*560*300	660*550	90



DC-6300 SERIES MULTIPURPOSE JBS MODEL NUMBERS			
Sl.No.	Baliga Model No.	Type	Internal Dimension in mm
1	DC-6300-1	Threaded / Spigotted	295 x 245 x 120
2	DC-6300-2	Threaded / Spigotted	295 x 245 x 170
3	DC-6300-3	Threaded / Spigotted	370 x 370 x 150
4	DC-6300-4	Threaded / Spigotted	370 x 370 x 200
5	DC-6300-5	Threaded / Spigotted	370 x 370 x 300
6	DC-6300-6	Threaded	560 x 560 x 200
7	DC-6300-7	Threaded	560 x 560 x 300

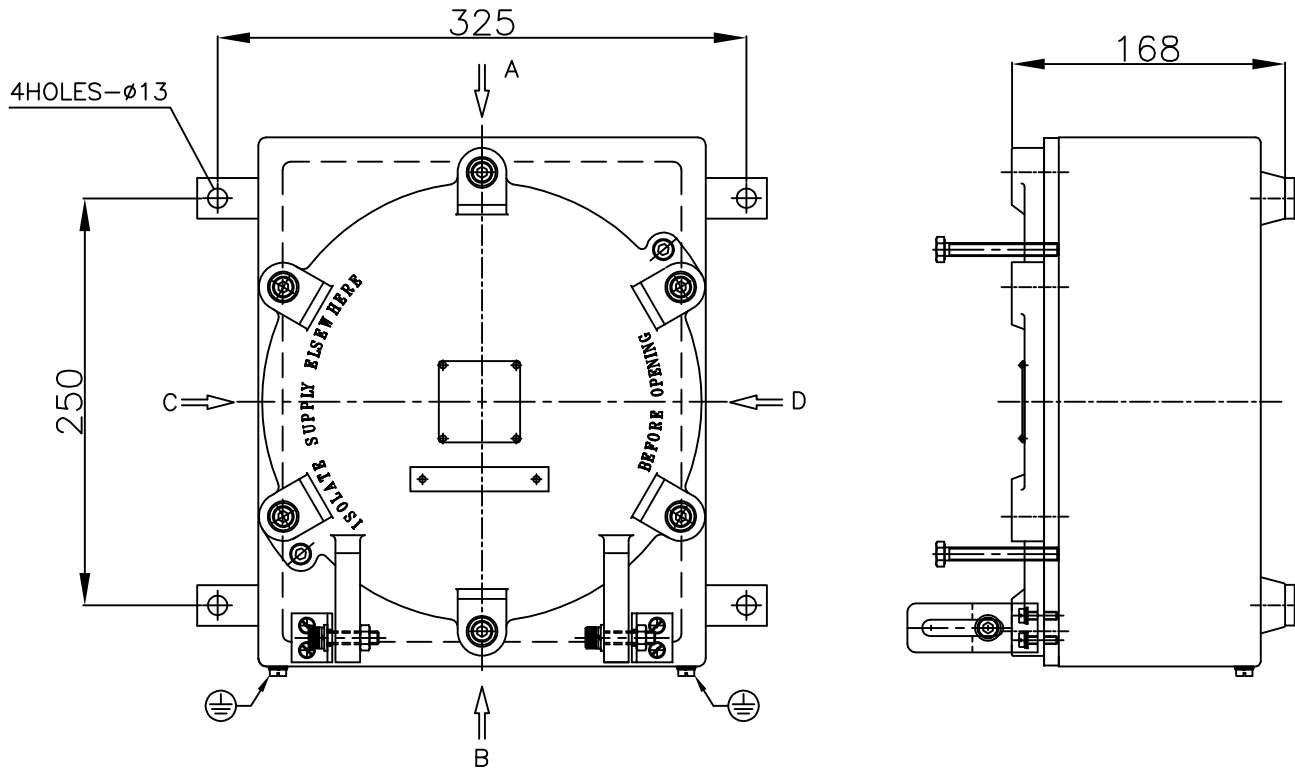


Maximum possible Cable Entries

Entry Size			DC - 6300 -1		DC - 6300 -2		DC - 6300 -3	DC - 6300 -4	DC - 6300 - 5	DC - 6300 - 6	DC - 6300 - 7
BSC/ET	NPT/BSP	METRIC	A/ B	C/ D	A/ B	C/ D	A/ B/ C/ D	A/ B/ C/ D	A/ B/ C/ D	A/ B/ C/ D	A/ B/ C/ D
0.5	0.25	M16	17	15	32	28	36	50	80	72	105
0.5/0.75	0.5	M20	14	12	26	21	27	36	63	56	80
1.0	0.75	M25	8	6	18	15	17	27	41	25	52
1.25	1.0	M32	5	4	9	8	12	18	29	20	40
1.5	1.25	M40	4	3	8	6	9	12	20	16	24
2.0	1.5	M50	3	3	4	3	5	8	12	8	18
2.5	2.00	M63	N/A	N/A	N/A	N/A	3	6	9	6	12
3.0	2.5	M75	N/A	N/A	N/A	N/A	3	6	9	6	12
4.0	3.0	M100	N/A	N/A	N/A	N/A	3	3	6	4	8

Maximum possible Terminal details

TERMINAL SIZE SQMM	RATING	DC - 6300 -1	DC - 6300 -2	DC - 6300 -3	DC - 6300 -4	DC - 6300 - 5	DC - 6300 - 6	DC - 6300 - 7
2.5	15A	60 (2rows)	60 (2rows)	120 (3rows)	120 (3rows)	N/A	210 (3rows)	N/A
4	20A	50 (2rows)	50 (2rows)	120 (3rows)	120 (3rows)	N/A	185 (3rows)	N/A
6	25A	40 (2rows)	40 (2rows)	105 (3rows)	105 (3rows)	N/A	165 (3rows)	N/A
10	35A	30 (2rows)	30 (2rows)	75 (3rows)	75 (3rows)	N/A	135 (3rows)	N/A
16	46A	24 (2rows)	24 (2rows)	60 (3rows)	60 (3rows)	N/A	105 (3rows)	N/A
35	75A	10(1Row)	10(1Row)	26 (2rows)	26 (2rows)	N/A	66 (3rows)	N/A
50	90A	N/A	N/A	15(1row)	15(1row)	N/A	30(2rows)	N/A
95	140A	N/A	N/A	10(1row)	10(1row)	N/A	14(2rows)	N/A



NOTES:

- NP -NAME & WARNING PLATE(SS)
- TP - TAG PLATE (PERSPEX) (CUSTOMER TO FURNISH TAG DETAIL IF ANY)
- EARTHING -2Nos. EXTERNAL & 1No. INTERNAL
- HARDWARE -SS304
- GASKET - ENDLESS NEOPRENE

CUSTOMER TO SPECIFY CABLE ENTRY DETAIL

INTERNAL DIMENSION : 295x245x120mm

ALL DIMENSIONS ARE IN MM.

		CUSTOMER :		TITLE : EXPLOSIONPROOF CUM WEATHERPROOF MULTI PURPOSE ENCLOSURE				
		CONSULTANT : -		CAT No. : DC-6300-1				
		PROJECT :		CLASSIFICATION : Exd IIC IP66 T6				
		P.O No.:		WT:13.5Kgs (APPROX.)		MATL.:AL. LM-6	ITEM No.: 01	QTY.: -
		FINISH : EPOXY POWDER COATED LEMON YELLOW (SHADE-355 OF IS:5)		TOLERANCE : ±5mm		SCALE N.T.S		FOR INFORMATION ONLY
CMRI : ERTL(E)/TES/B142/0025/03-08		IS:13346 (IEC:60079-0)		NAME	DATE			
		IS:2148 (IEC:60079-1)		REV-1				
		IS:12063 (IEC:60529)		REV-2				
				DRN.	S.S	18.08.08	DRG. No.	REV
				CHKD.	KK	18.08.08	QXDC630001	0
				APPD.	KK	18.08.08		



Baliga Lighting Equipments Private Limited,
KOVILAMBAKKAM, CHENNAI-600117, INDIA.